

SPECIFICATION FOR APPROVAL

Customer :

協益歐洲



MODEL NAME: HPC-360-302 DF REV:C0

PART NO: 91.36032.B04

ISSUE DATE : 2005.02.17

Customer Approval

Approved By :	Checked By :

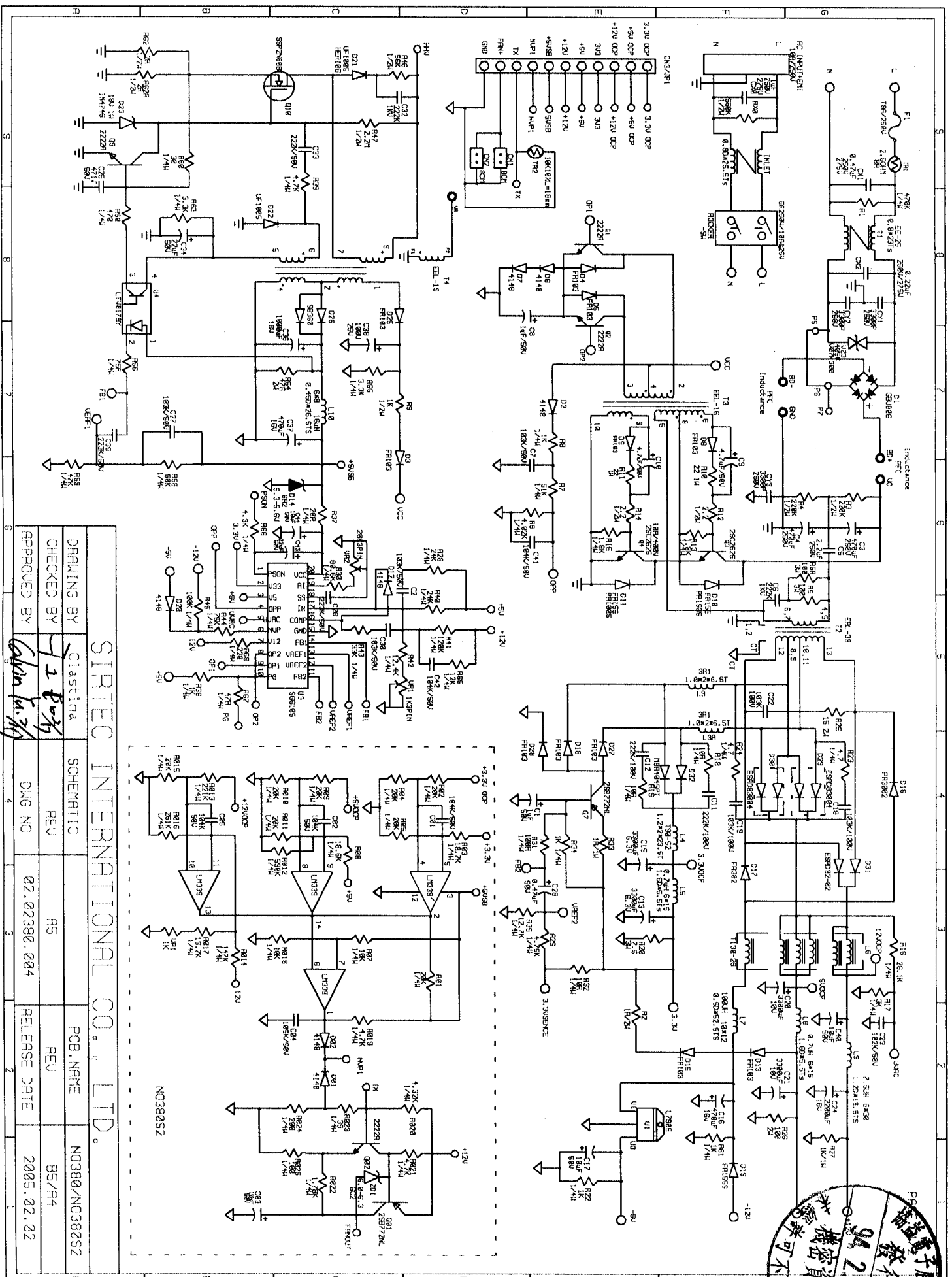
* MANUFACTURER / 製造商 *

SIRTEC INTERNATIONAL CO., LTD.

協益電子股份有限公司

ADDRESS/地址：台北市內湖區基湖路 35 巷 49 號 3 樓

PHONE : 886-2-2659-2535 FAX : 886-2-2659-2265



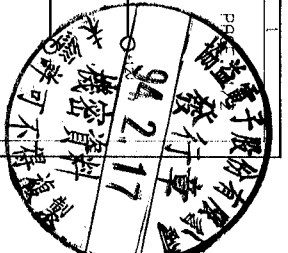
SIRTEC INTERNATIONAL CO., LTD.

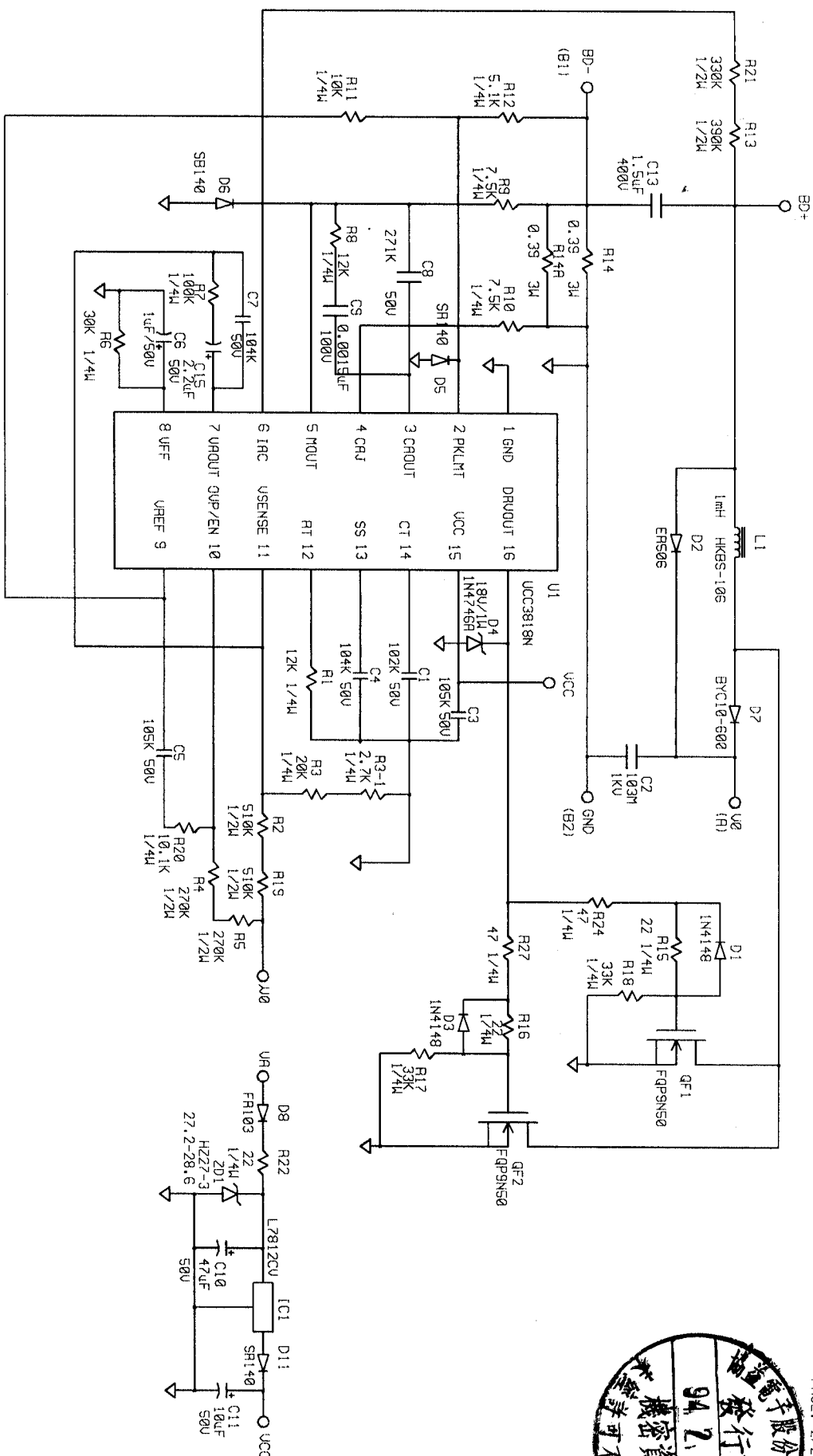
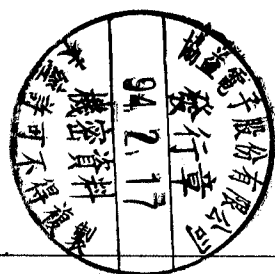
DRAWING BY CISTINA SCHEMATIC REV AS PCB NAME NO380/NO380S2

CHECKED BY J. P. REV AS PCB NAME NO380/NO380S2

APPROVED BY *Alpha* DWG NO 02.02380.004 RELEASE DATE 2005.02.22

NO380S2





SIRTEC INTERNATIONAL CO., LTD.

DRWMING BY	Clastina	SCHEMATIC	PCB. NAME	NO357-1
CHECKED BY	<i>V2 F3/3/3</i>	REV	REV	R1
APPROVED BY	<i>Calvin Lu, JY</i>	REV	AS	
DWG NO	02.02380.024	REV	RELEASE DATE	2005.02.02